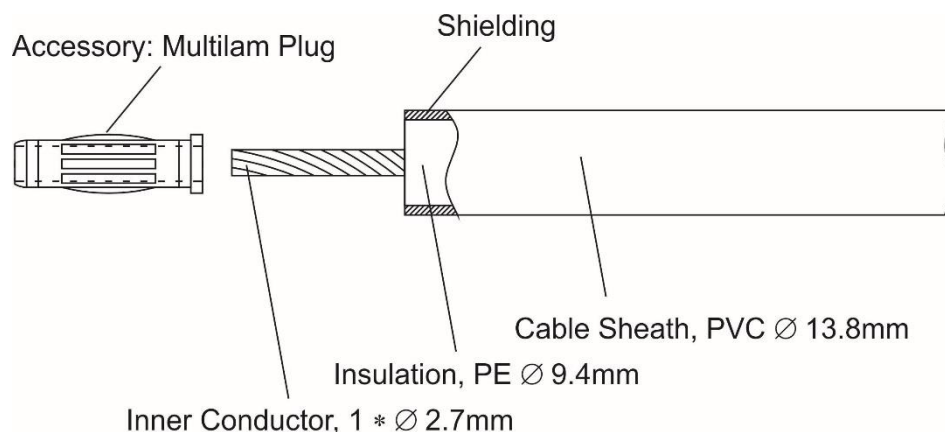
 <b>REMO-HSE</b>	<b>HVC 150M-03</b>	<b>Datasheet</b>
	<b>High Voltage Cable</b>	

**Description:** Shielded high voltage cable for 150 kV DC for use in electrostatic applications, e.g. liquid paint, powder coating and flocking systems.

**Field of application:** Electrostatic applications according to EN 50176 / EN 50177

**Installation information:** Accessory: multilam plug 4 mm; ground shielding at one end only



Mechanical Dimensions:  $\pm 0.3$  mm

### Technical Specifications:

<b>HV-Cable</b>	
Rated Voltage:	150 kV DC
Test Voltage:	180 kV DC acc. to EN 50176/EN 50177
Inner Conductor:	1 × Ø 2.7 mm CU-bare
Insulation:	PE
Cable Sheath:	PVC black
Outer Diameter:	13.8 mm
Bending Radius:	> 30 times outer diameter
Operating Temperature:	-25 to +70°C

Date: 2011-10-17	REMO-HSE Hochspannungselektronik GmbH, Straubinger Str. 28, D - 94372 Rattiszell Tel.: +49 (0) 9964 / 6406 - 0 * Fax: +49 (0) 9964 / 6406 - 20 * Email: info@remo-hse.de	Page 1 / 1
---------------------	---	---------------